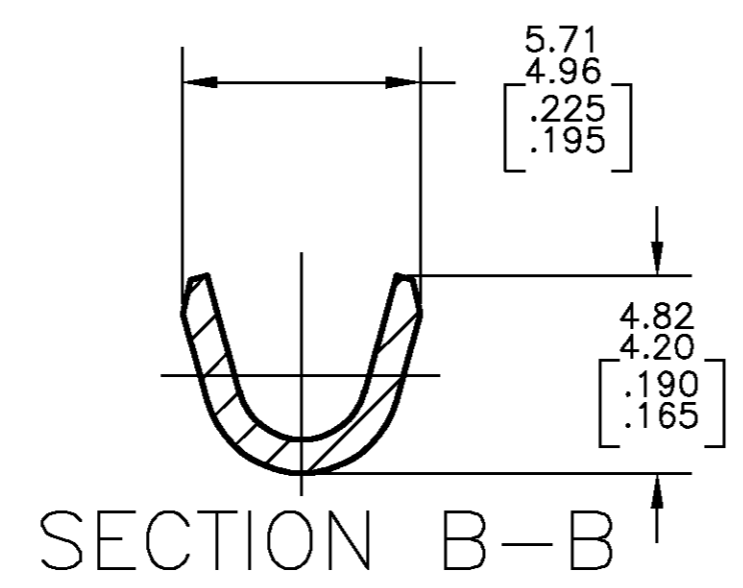
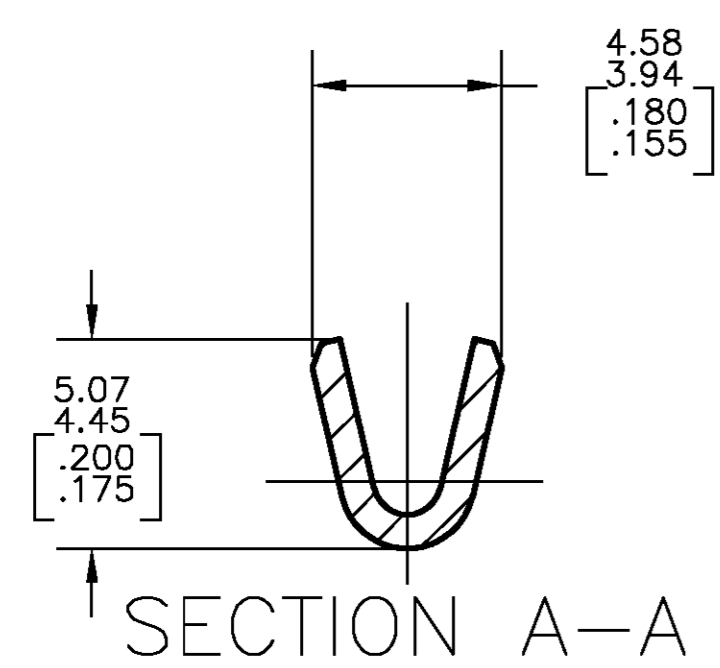
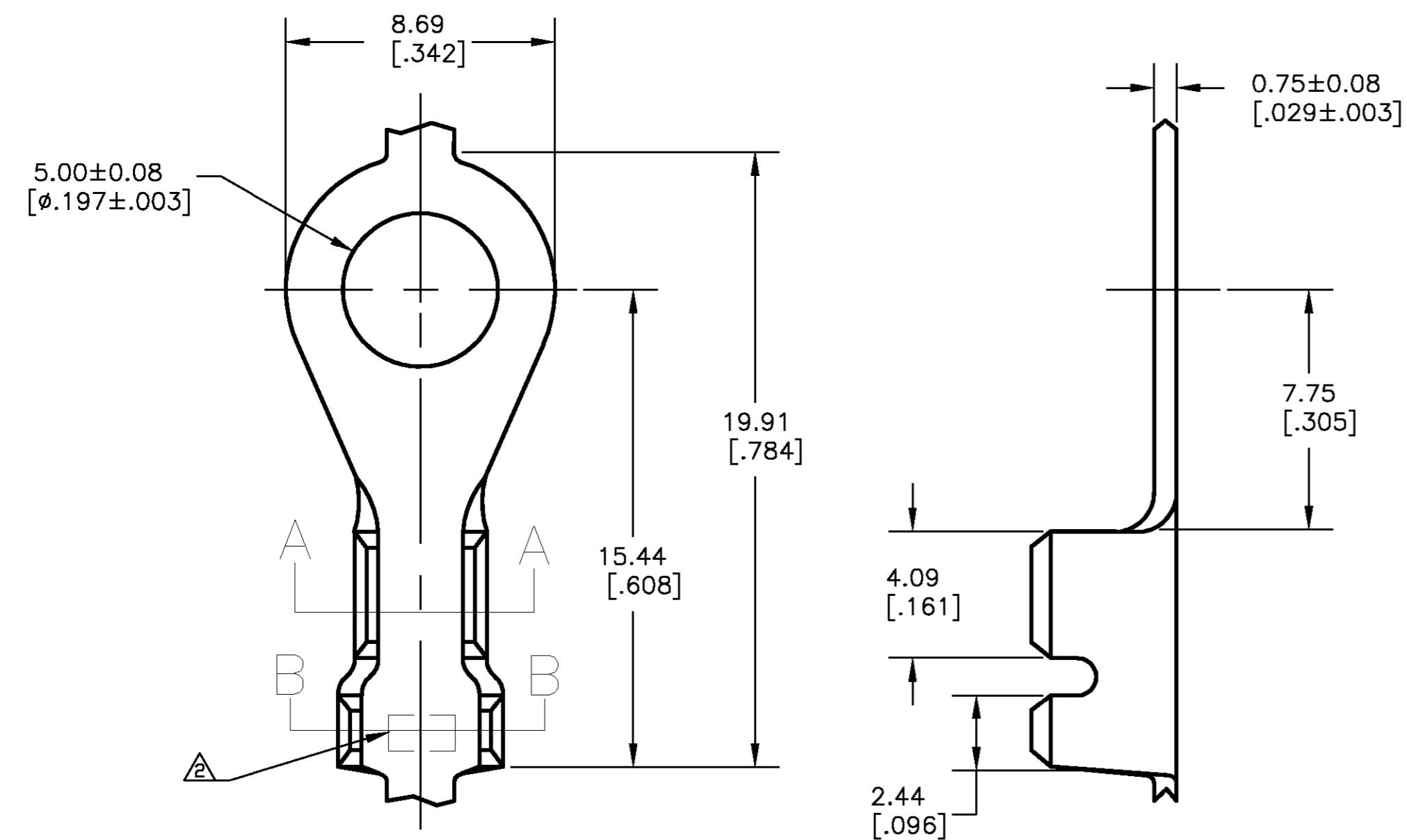


THIS DRAWING IS UNPUBLISHED. RELEASED FOR PUBLICATION
 BY TYCO ELECTRONICS CORPORATION. ALL RIGHTS RESERVED.

LOC	DIST	REVISIONS			
P	LTR	DESCRIPTION	DATE	DWN	APVD
AF	50	W	REDRAWN PER OG3A-0198-01	04APR01	MF DD

- 1 CONTINUOUS STRIP ON REELS.
- 2 AMP STAMP.



0.8-2.0mm ² [18-14] AWG	2.54-3.56 [.100-.140] DIA	40661
WIRE RANGE	INSULATION RANGE	PART NUMBER

THIS DRAWING IS A CONTROLLED DOCUMENT.		DWN MICHAEL S. FEHER 26JAN2001	Tyco Electronics Corporation Harrisburg, PA 17105	
DIMENSIONS: mm [INCHES]		CHK DONALD DECKER 04APR2001	NAME #10 STUD, TERMINAL, TONGUE, RING	
TOLERANCES UNLESS OTHERWISE SPECIFIED:		APVD DONALD DECKER 04APR2001	PRODUCT SPEC	
0 PLC ± -		APPLICATION SPEC	RESTRICTED TO	
1 PLC ± -		WEIGHT	SIZE A2	CAGE CODE 00779
2 PLC ± 0.25[.010]		FINISH	DRAWING NO 40661	SCALE 6:1
3 PLC ± -		MATERIAL 082 BRASS	SHEET 1	OF 1
4 PLC ± -		CUSTOMER DRAWING	REV W	
ANGLES ± 1°				

40661